



Welcome

BT Mini Hub Kit user guide

Hello

This handy kit is a great way to extend broadband round your home.

Here's what's in this guide

What's in the box	2
What an extended network looks like	3
How to set up and get connected	4
Troubleshooting	6
How to reset your kit	9
Need some help?	10
Other information	11

Thanks again for choosing BT.

What's in the box



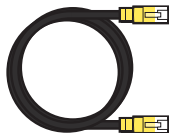
BT Mini Hub



BT Mini Connector



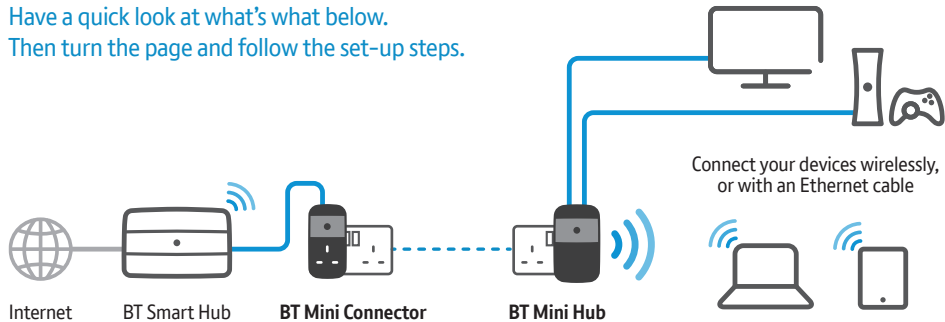
BT Mini Hub Kit
user guide



Ethernet cable
(yellow ends) for a
wired connection

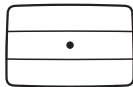
What an extended network looks like

Have a quick look at what's what below.
Then turn the page and follow the set-up steps.



i Got a bundle, like BT Smart Hub or BT TV, too?

Set up your Smart Hub first before setting up anything else.



BT Smart Hub



BT Mini Hub Kit



YouView box

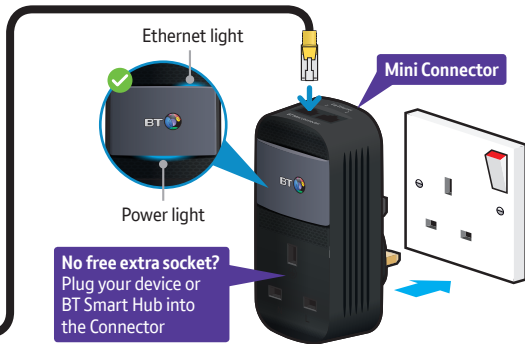
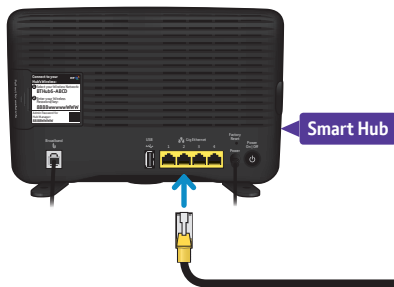
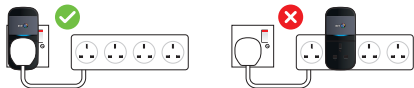
How to set up and get connected

1 Connect the Mini Connector

- 1 Plug one end of the Ethernet cable into any Ethernet port on your Smart Hub.
- 2 Plug the other end into one of the Ethernet ports on top of your Mini Connector.
- 3 Plug the Mini Connector directly into a power socket on the wall and switch on. The Power and Ethernet lights will come on.

i Using extension leads

You can use power extension leads but you need to connect them like this:



2 Plug in the Mini Hub

Go to the part of your home where you want to improve your wireless signal. Then plug the Mini Hub into a power socket on the wall and switch the socket on. Check that the Mini Hub is also on. The **Power** light will come on first then, within a minute, the **Wireless** and **Data** lights too.



3 Connect your devices

You'll need your Mini Hub's wireless network name and password. They're on the back of your Mini Hub.

If your device supports WPS, just press  (WPS) on your Mini Hub. It's a quick way to connect.



i Know your networks

The Mini Hub is dual-band, so you'll see two network names on the card, one for the 2.4GHz band and one for the 5GHz band. The wireless password is the same for both.

Don't want to use wireless?

Using an Ethernet cable, connect your device to either Ethernet port on the top of the Mini Hub.

 **All done.**

Troubleshooting

Your BT Mini Connector lights (see page 7)



Your BT Mini Hub lights (see page 8)



What the lights on your BT Mini Connector mean

Light	Colour	Status	What's happening
Power	Blue	On	Connector running normally
		Flashing	Connector resetting, synchronising or sleeping. Give it a couple of minutes
	–	Off	No power. Check everything's on. Still no light? Go to bt.com/help/miniconnector
Ethernet	Blue	On	Connector running normally, sending or receiving data
		–	Off
Data	Blue Orange Red	On	Connector is connected to network. Transfer speeds: blue is high; orange is medium; red is low. Slow speed? Check your set-up on page 4. For tips on improving your speed, go to bt.com/help/miniconnector
		–	Off

What the lights on your BT Mini Hub mean

Light	Colour	Status	What's happening
Power	Blue	On	Mini Hub running normally
		Flashing	Mini Hub resetting, synchronising or sleeping. Give it a couple of minutes
	–	Off	No power. Check everything's on. Still no light? Go to bt.com/help/minihub
Wireless	Blue	On	Wireless enabled, sending or receiving data
	Orange	Flashing	WPS is connecting. If it doesn't, use your wireless password on the Mini Hub
	Orange	On	Wireless security off for 2.4GHz or 5GHz band. For help, go to bt.com/help/minihub
	–	Off	Wireless isn't on. If you haven't turned wireless off, you might need to restart and/or reset your kit. See page 9
Data	Blue Orange Red	On	Mini Hub is connected to network. Transfer speeds: blue is high; orange is medium; red is low. Slow speed? Check your set-up on page 5. For tips on improving speed, go to bt.com/help/minihub
	–	Off	No connection to network or sleeping. You might need to restart and/or reset your kit. See page 9

How to reset your kit

If your Mini Hub or Mini Connector stops working or becomes unpaired, turn it off and then on to restart it. If it still isn't working, reset to factory settings using these steps.

- 1 Make sure the Mini Hub or Mini Connector is plugged in and the power socket is switched on.
- 2 Press and hold **+** (Add) on the Mini Connector for more than 15 seconds, or the **F. Reset** button on the Mini Hub for one second to go back to its original settings.

Give it a couple of minutes. If everything's okay, the Power, Data, Ethernet and Wireless lights will come on.

i Remember: if you reset your Mini Hub, you'll lose any settings that you might've changed, like your wireless network name or wireless password.

i Stuck?
Find out how to get in touch with us on page 10.



Need some help?

Go to bt.com/help/minihub or bt.com/help

A quick way to get help, all day and every day.

Chat to us at bt.com/chat

We're here to help seven days a week between 7am and 11pm.

Get help from other users

Join the conversation in The BT Community Forum at bt.com/community

Call us

If you need to talk, give us a ring on 0800 111 4567. We're usually less busy between 12pm and 6.30pm. When you call, make sure you're next to your Mini Hub with a computer or device.

You can also call 0330 123 4567 from a mobile. All numbers starting 0330 are charged at a national rate and are included in any free minutes as part of your mobile contract. Some mobile operators allow free use of 0800 numbers.

Other information

R&TTE Directive and Declaration of Conformity

This equipment complies with the essential requirements for the Radio Equipment and Telecommunications Terminal Equipment Directive (1999/5/EC).

For a copy of the Declaration of Conformity, please go to bt.com/help/minihub

This product uses open source codes available from bt.com/help/gplcode

How much power the BT Mini Connector uses

In operation	5.2 watts
Network standby	3.5 watts
Standby mode	0.5 watt
Elapsed time before going into standby mode	5 minutes

How much power the BT Mini Hub uses

In operation	9.95 watts
Network standby	5.34 watts
Off mode	0.1 watt

Call 0800 800 150 to get this leaflet
in Braille, large print or audio CD.



Offices worldwide

The services we've described in this publication may not always be available and we may change them. Nothing we've written here is contractual. When we supply services and equipment, our terms and conditions apply.

© British Telecommunications plc 2016
Registered Office: 81 Newgate Street, London EC1A 7AJ
Registered in England No. 1800000

Written and designed by Muse Publishing and The Art & Design Partnership (ADP)

Version number MHK-01

The logo for Internet Matters, featuring the text "internet matters.org" in white, lowercase, sans-serif font, set against a solid green rectangular background.

internet
matters.org

Get information, advice and
support on keeping your
children safe online